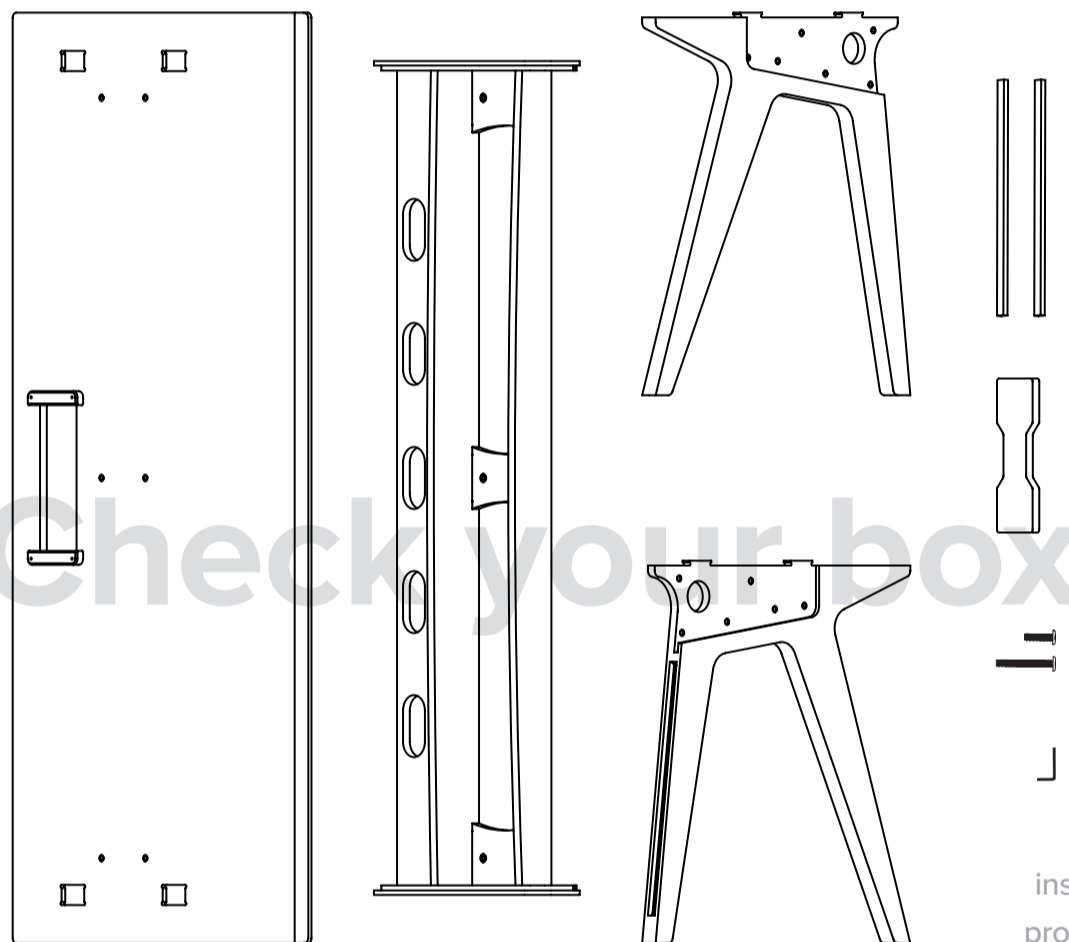




Assembly Instructions



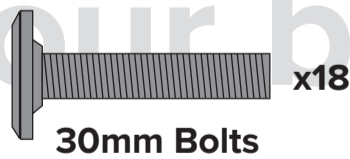
Larger desks will have two power & data flaps

Line up and check your bolt sizes and quantities below

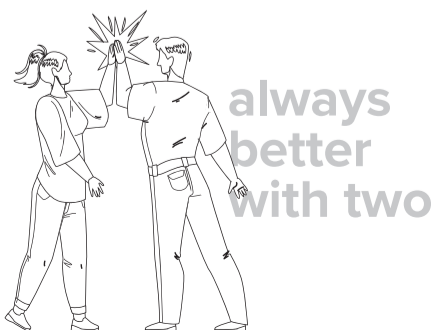
x1 Allen Key

Failure to follow these instructions may result in product damage or injury.

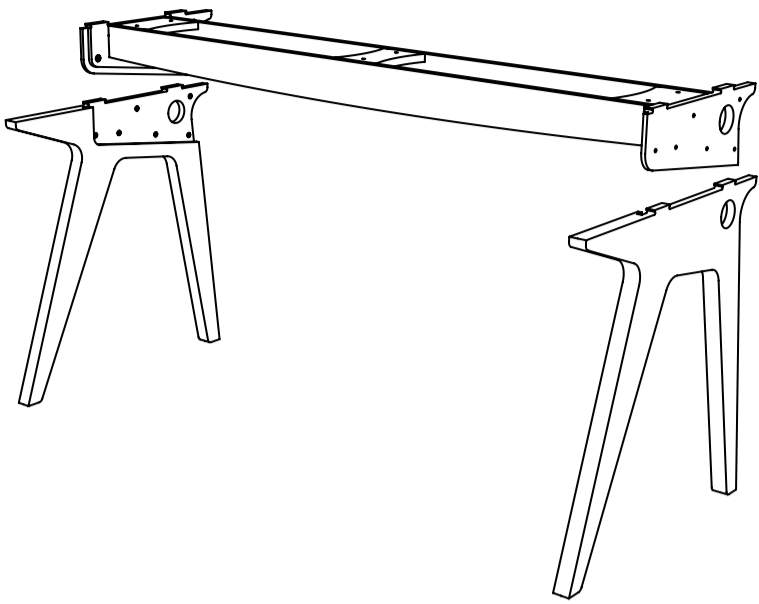
Line up all your bolts here to check the size and quantities



1:1 Scale at A3

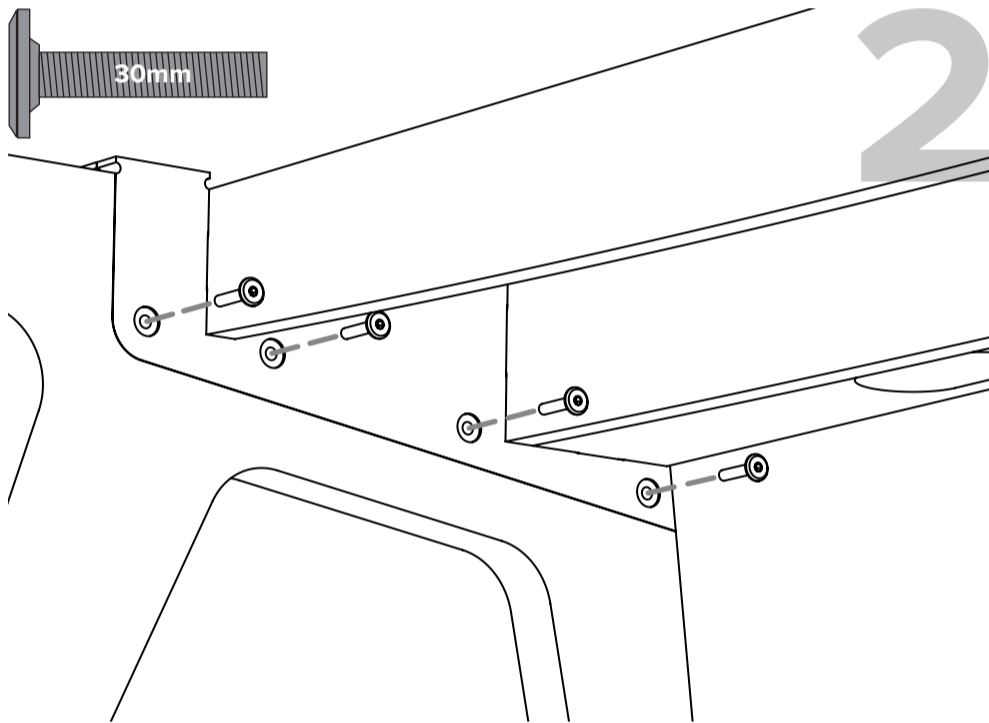


1



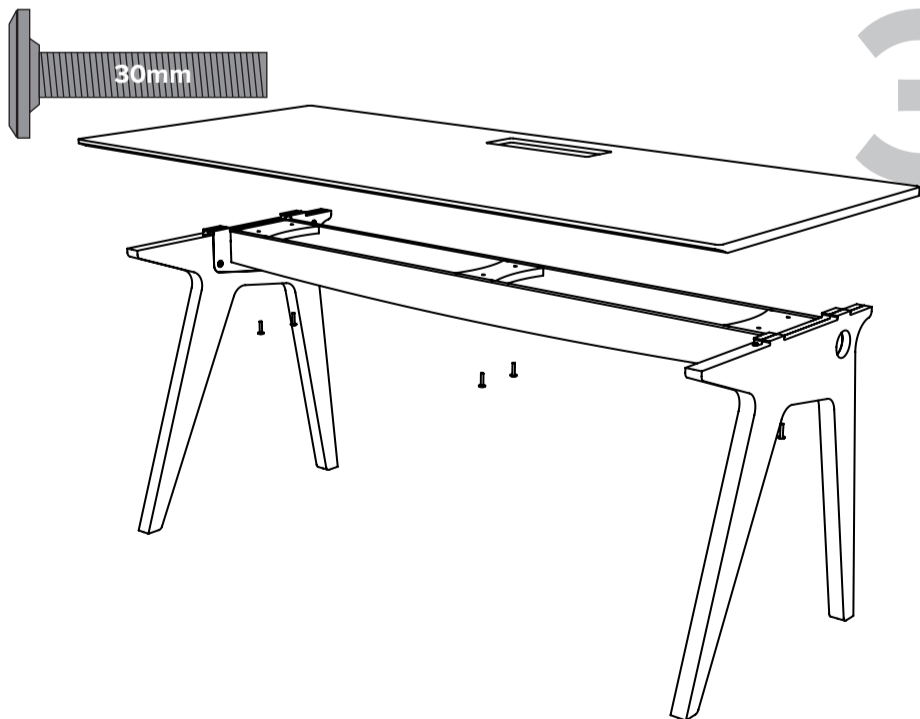
Slot the support into the corresponding slots on the legs. This can be done carefully while upright, one at a time.

2



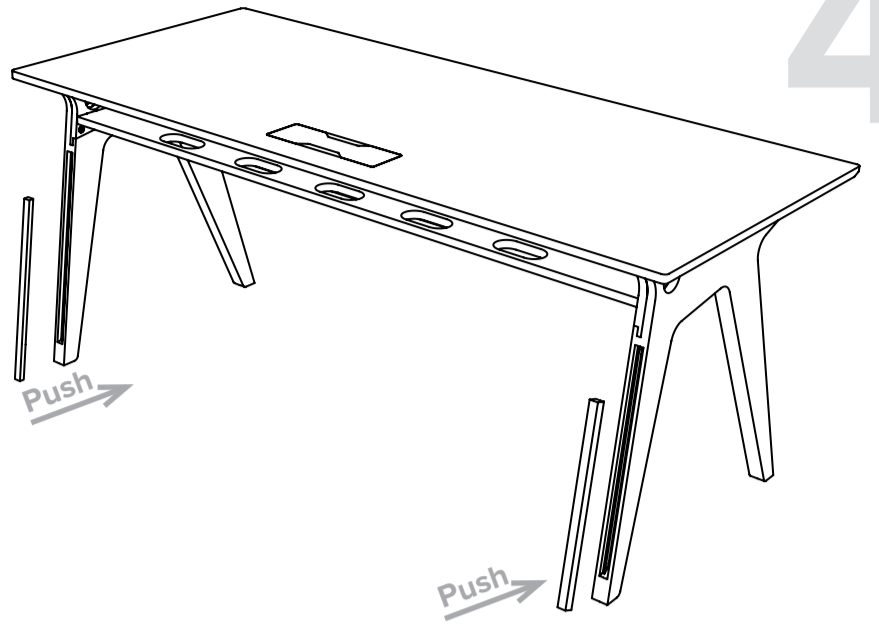
Secure the legs to the support using the 30mm bolts provided.

3



Carefully lift the table-top onto the assembled frame and secure using the 30mm bolts provided.

4



To conceal cables down the back of the legs, simply push the cable covers into place while the cable is concealed down the slot.

5



Check everything is nice and secure and enjoy your new Sherwood Desk.



Find out the best ways to care for your furniture.

Enjoy your
new forever
furniture!