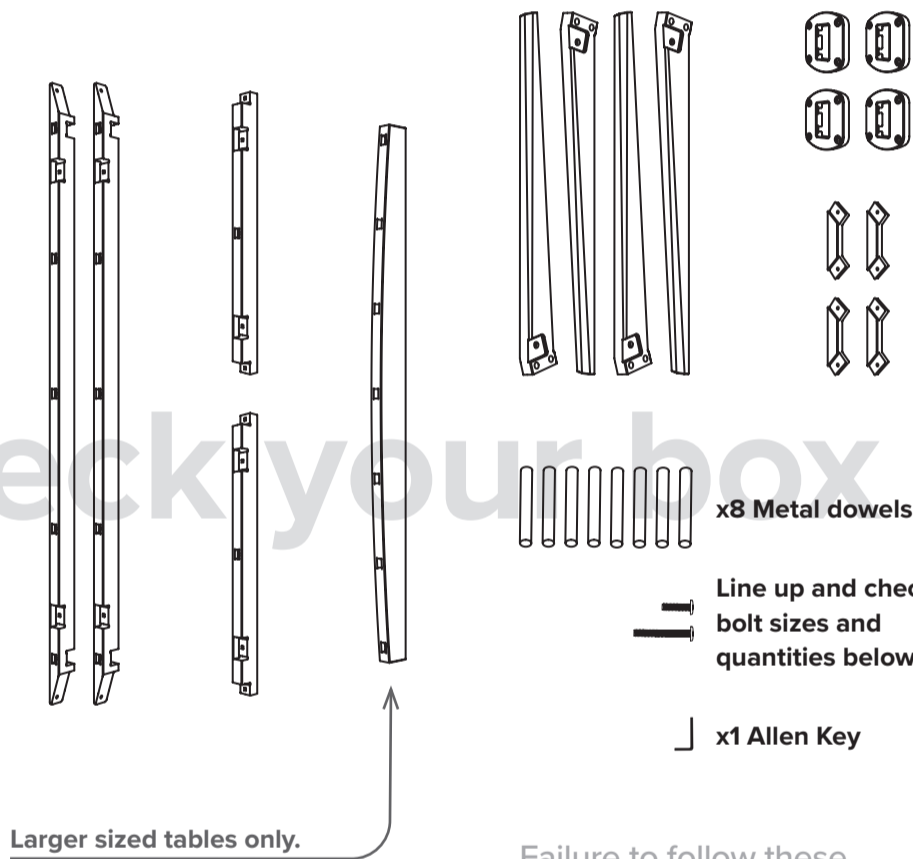
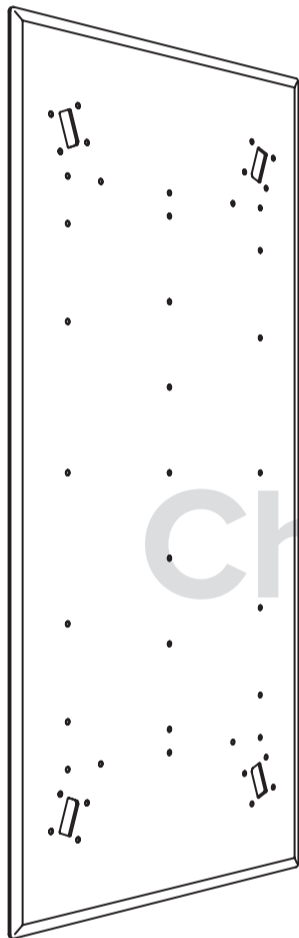
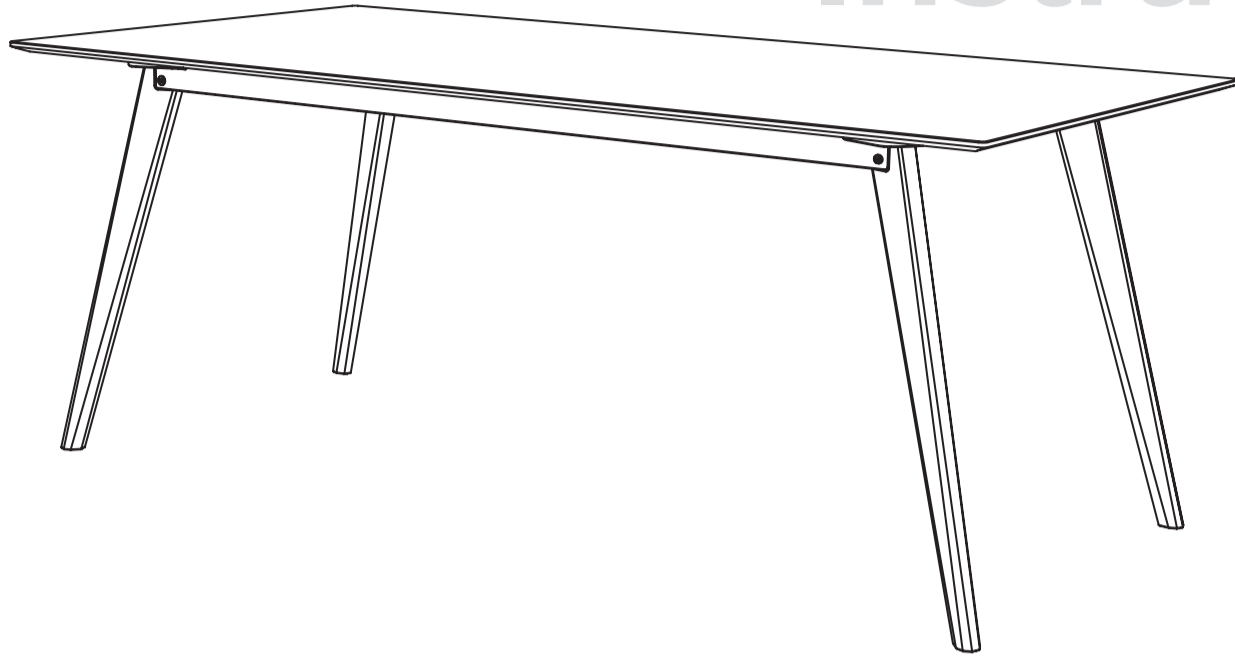




Assembly Instructions



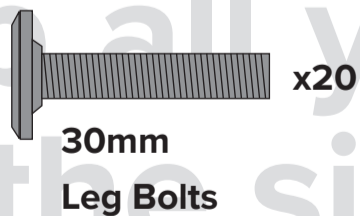
x8 Metal dowels

Line up and check your bolt sizes and quantities below

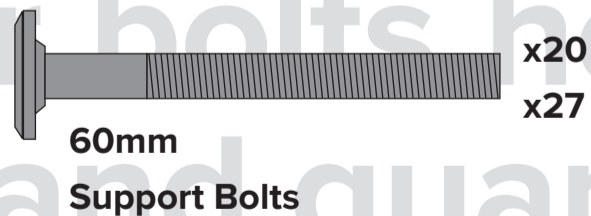
x1 Allen Key

Failure to follow these instructions may result in product damage or injury.

Line up all your bolts here to check the size and quantities

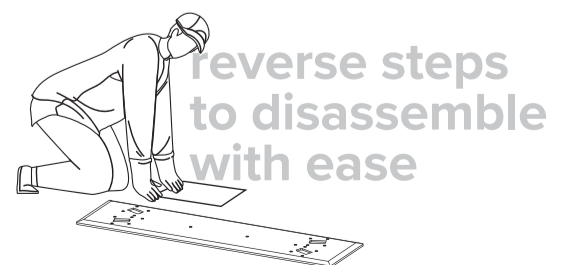
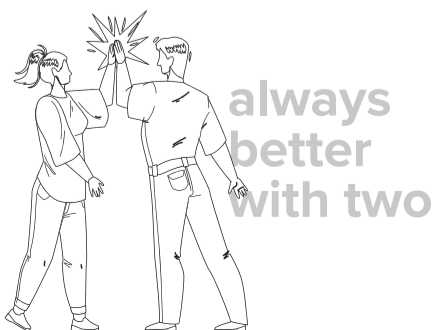


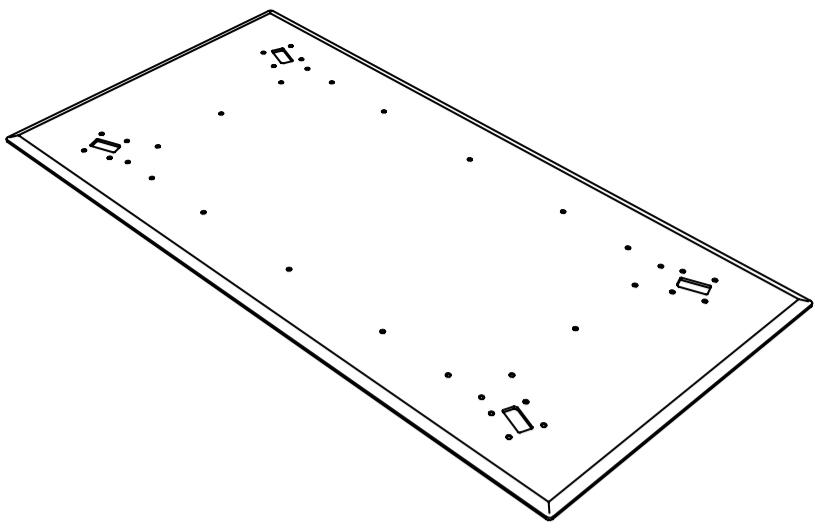
30mm Leg Bolts



60mm Support Bolts

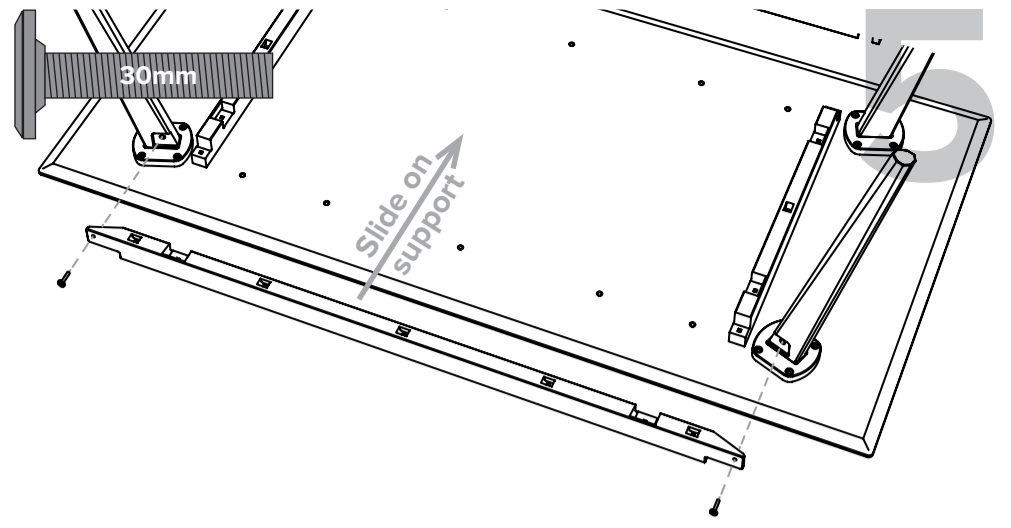
1:1 Scale at A3





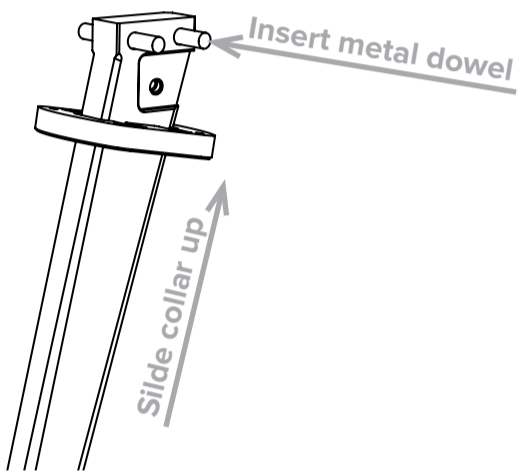
1

Place Tabletop upside down on it's packaging.



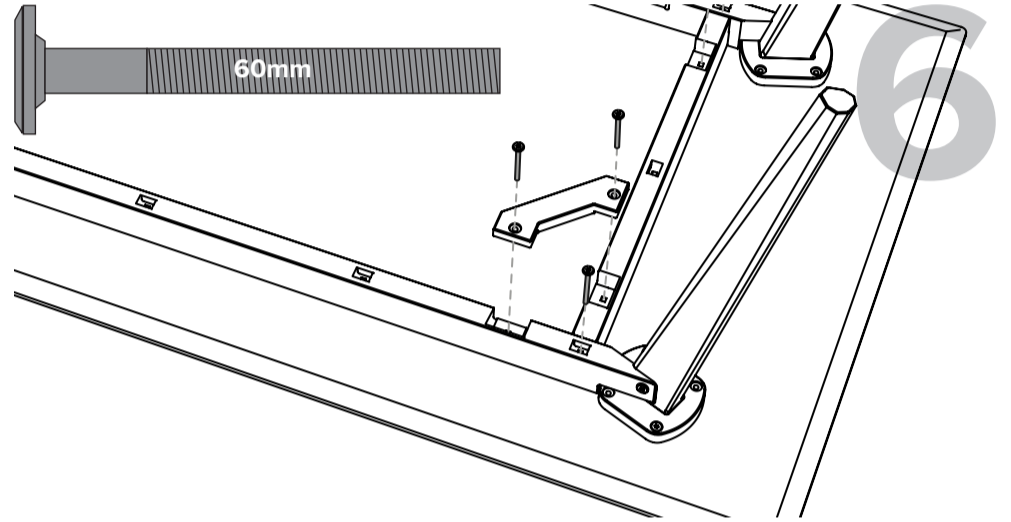
5

Slide the long supports into their corresponding slots in the legs and short supports. Secure the long supports to the legs using 30mm bolts.



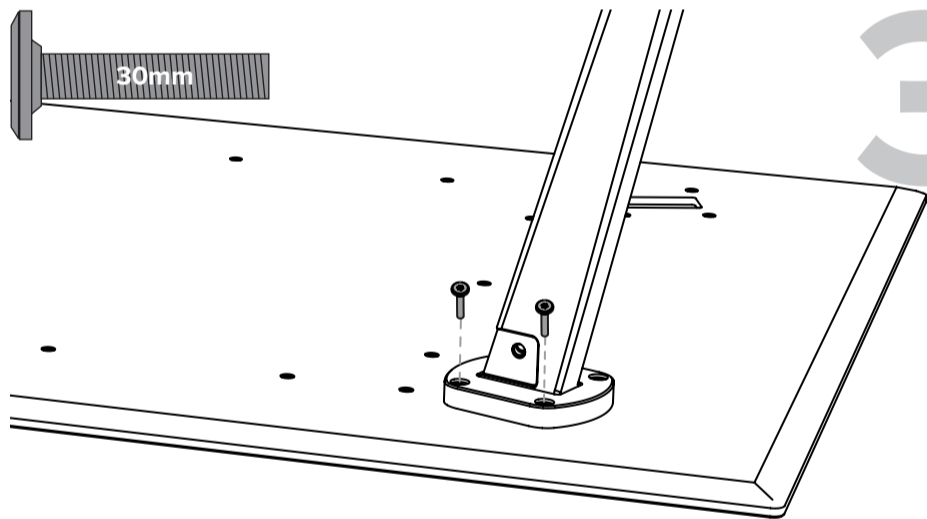
2

Slide a collar along the leg and insert a metal dowel into each of the holes at the top of the leg.



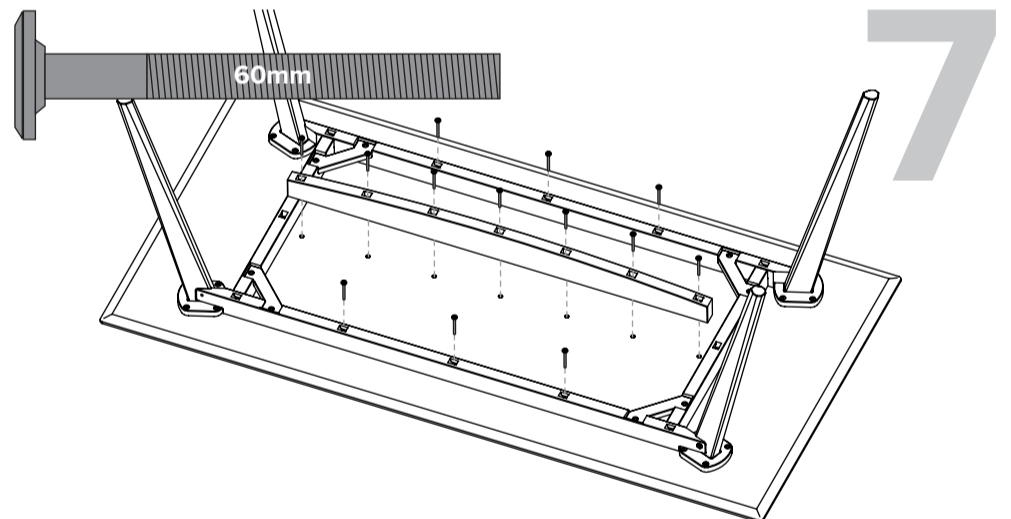
6

Slot the corner pieces into place in the long and short supports. Secure the corners, long & short supports using 60mm bolts.



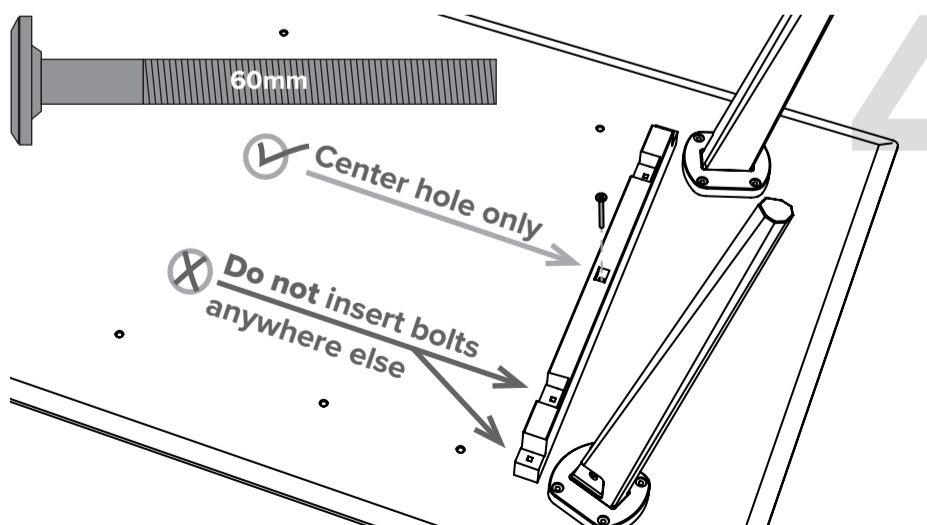
3

Put the legs in the pockets on the table top and loosely secure it in place with 30mm bolts. Once all four bolts are in, tighten each until they are firm using the allen key.



7

Insert remaining 60mm bolts into supports and check that everything is nice and tight. If you have a larger sized table, you will have an additional support (shown above). Fit this to the center of the table and secure using 60mm bolts.



4

Place the short supports in position and loosely insert a 60mm bolt into the centre hole only.

Do not insert any other bolts.



8

Once everything is in place and secured nicely, turn the table over. It's best to ask a friend to help with this.