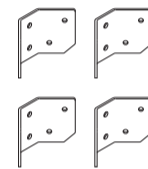
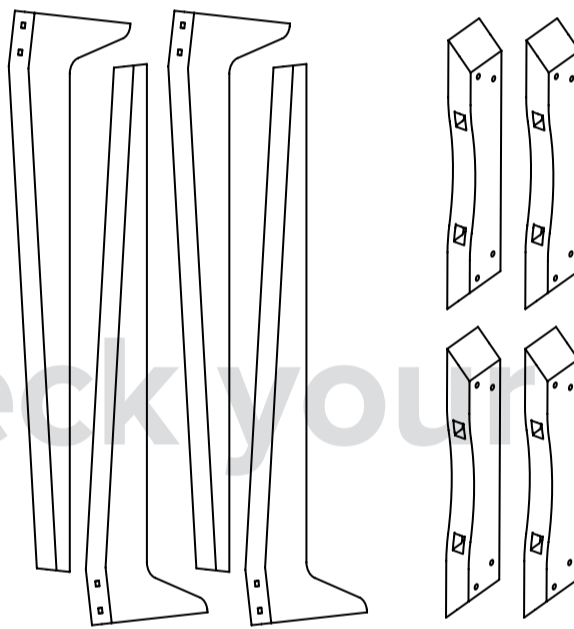
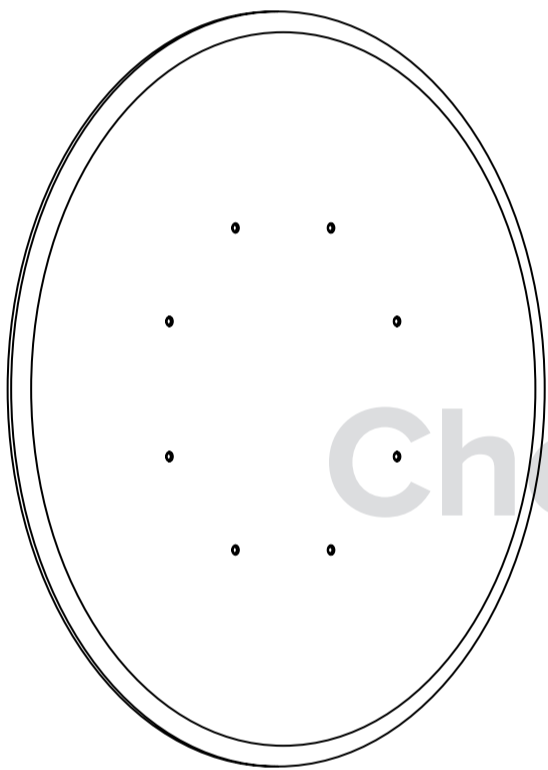




Assembly Instructions



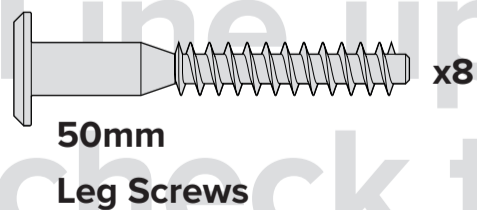
x4 Metal brackets



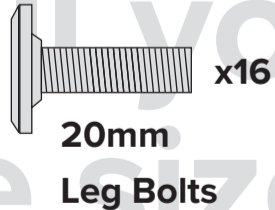
Line up and check your bolt sizes and quantities below

x1 Allen Key

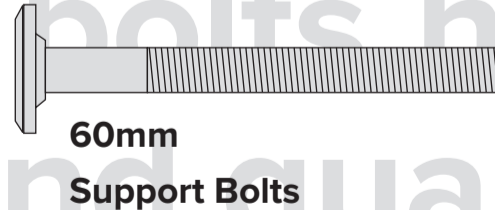
Failure to follow these instructions may result in product damage or injury.



50mm Leg Screws



20mm Leg Bolts

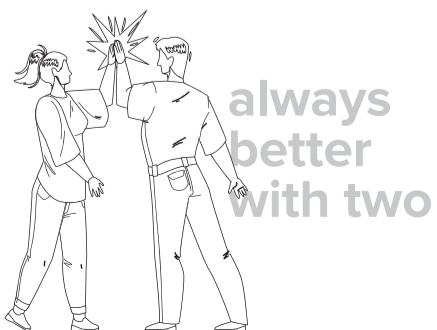


60mm Support Bolts

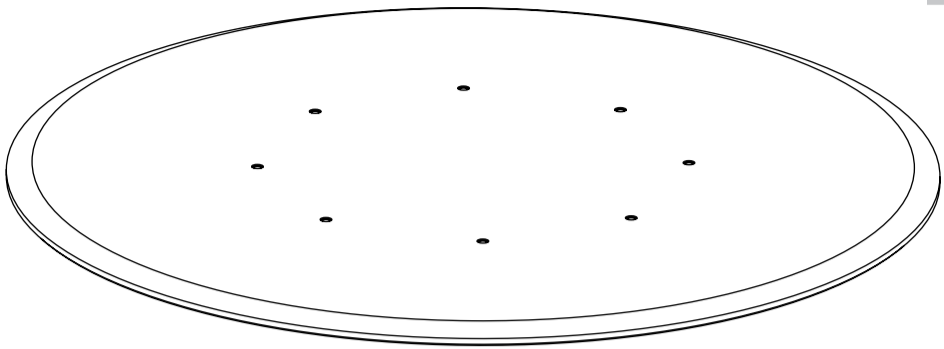
x4 (Ø 80cm)
x8 (Ø 100cm & Ø120cm)

Line up all your bolts here to check the size and quantities

1:1 Scale at A3

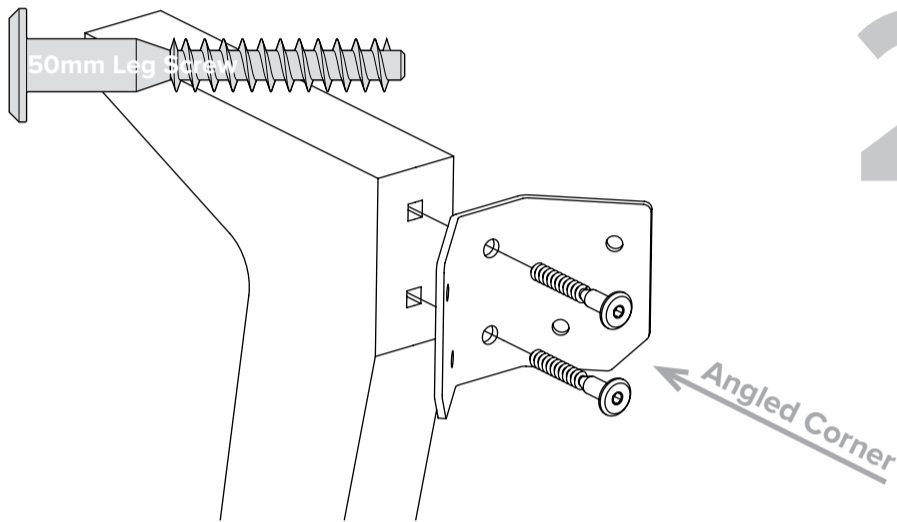


1



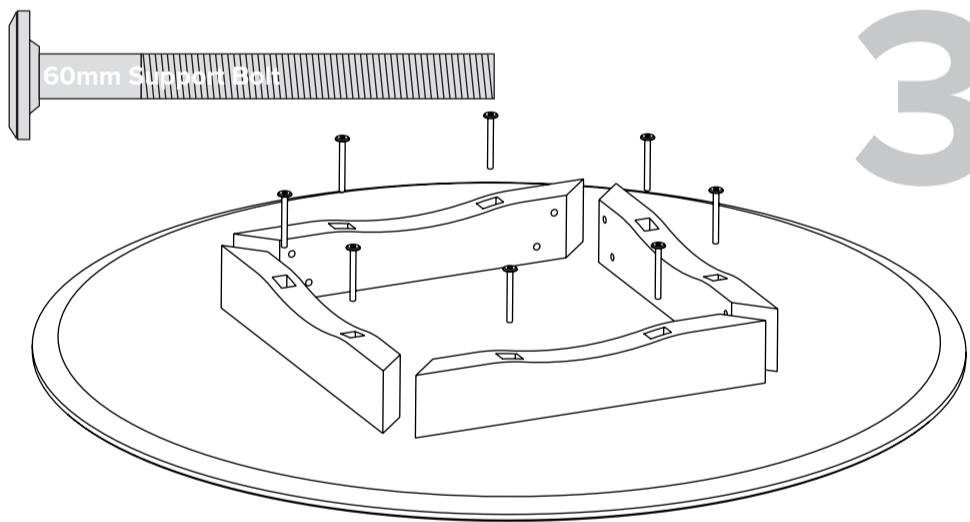
Place tabletop upside down on it's packaging.

2



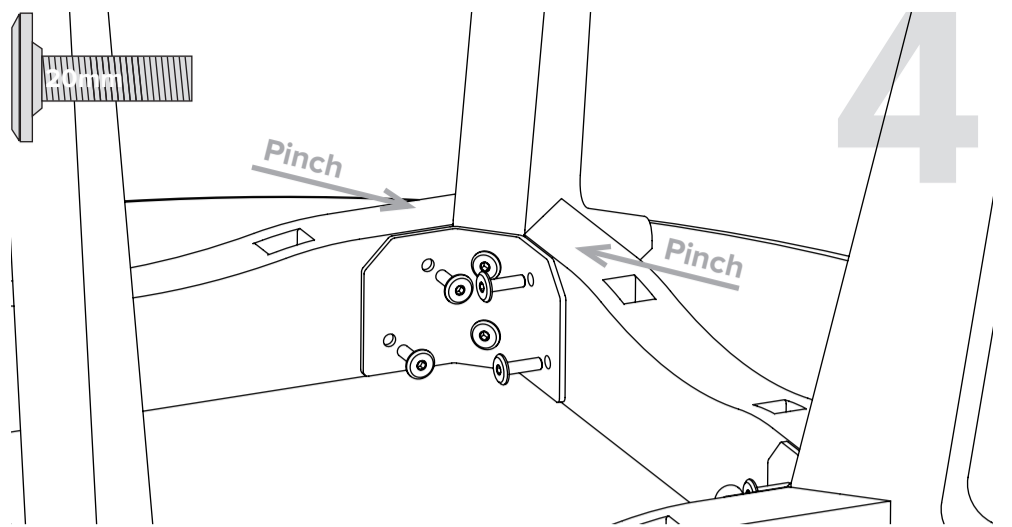
Using the Allen Key provided, screw the metal brackets into place on the legs. Ensure the angled corners face down (as shown) and that the bracket is square to the leg.

3



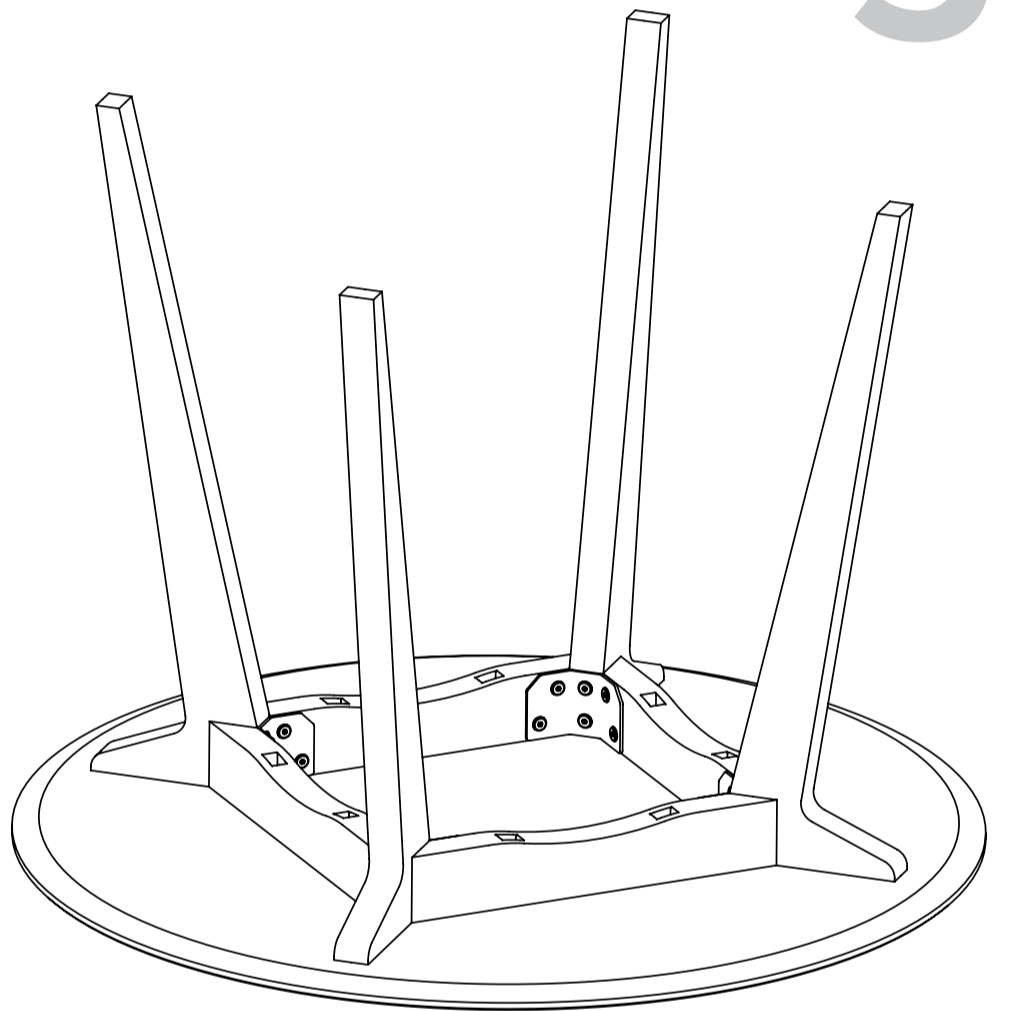
Place the supports in position and loosely insert a 60mm bolt, don't fully tighten at this stage.

4



Slot the legs into position on each corner and connect to the supports with 20mm Leg Bolts. Pinch the supports around the leg as you tighten to ensure a flush finish.

5



Ensure all bolts are fully tightened - you'll need to revisit the 60mm support bolts fitted in step 3. Next, turn the table over, it's best to ask a friend to help with this.



Find out the best ways to care for your furniture.

Enjoy your new forever furniture!