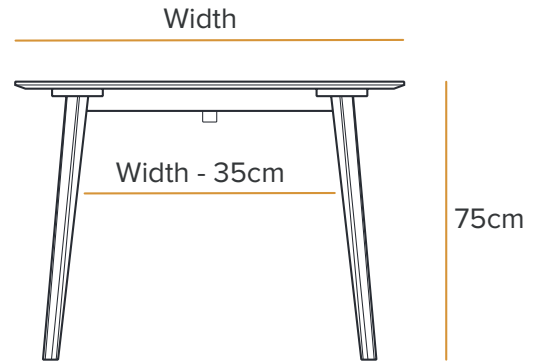
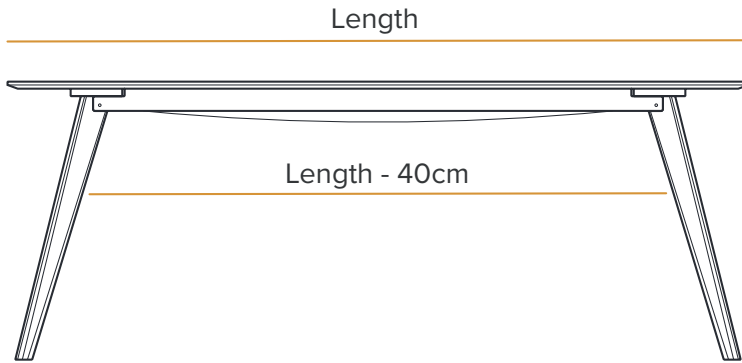


KIELDER RANGE



When it comes to furniture, the smallest measurement can transform a space. It's easy to find something you love, but getting your head around sizing can be tricky.



Place Setting
56 x 32 cm

We've put careful consideration into our sizes to help maximise floor space without compromising on seating.

Use this size guide to find the best fit for you and for your space - you'll find a quick reference guide below and more detailed information on the following pages.

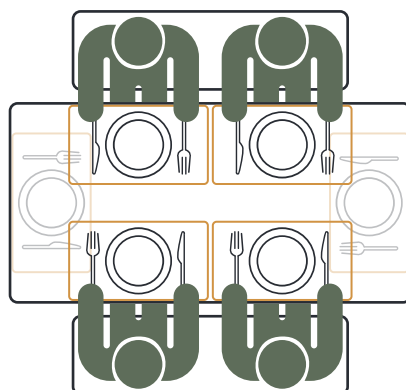
Dining Table: **160x80cm**

Comfortable for 4 & Cozy for 6

Benches: **110cm**

These benches **will** recess fully underneath a **160cm** long table.

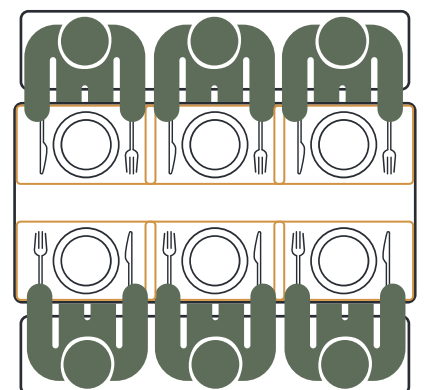
The total floorspace is **160x154cm**.



Benches: **155cm**

These benches **won't** recess fully underneath a **160cm** long table.

The total floorspace is **160x154cm**.



KIELDER RANGE

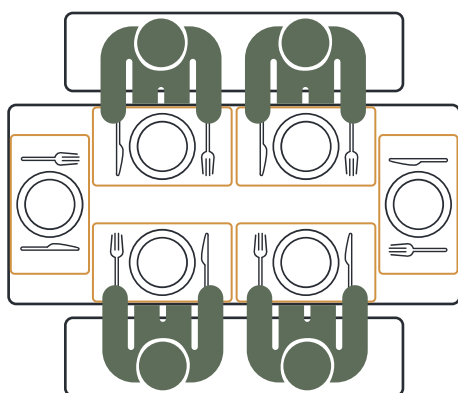
Dining Table: **180x80cm**

Comfortable for 6

Benches: **135cm**

These benches **will** recess fully underneath a **180cm** long table.

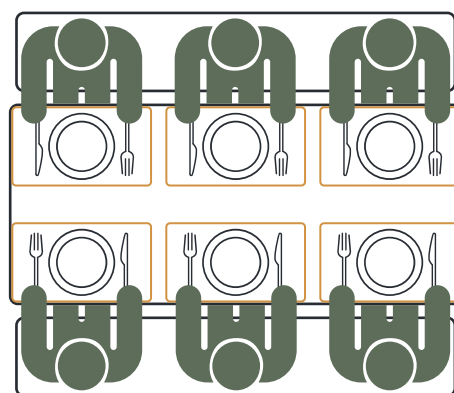
The total floorspace required is **180x154cm**.



Benches: **175cm**

These benches **won't** recess fully underneath a **180cm** long table.

The total floorspace required is **180x154cm**.



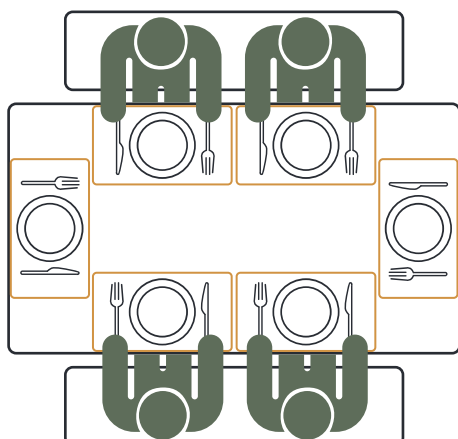
Dining Table: **180x100cm**

Comfortable for 6 & Cozy for 8

Benches: **135cm**

These benches **will** recess fully underneath a **180cm** long table.

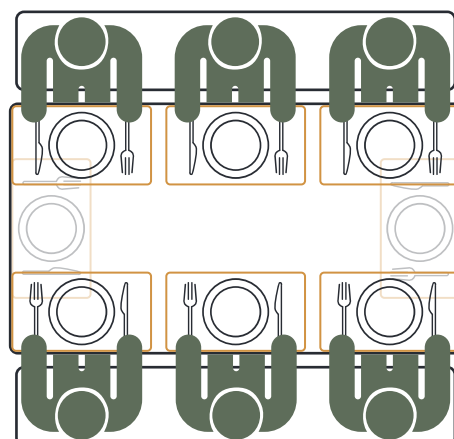
The total floorspace is **180x174cm**.



Benches: **175cm**

These benches **won't** recess fully underneath a **180cm** long table.

The total floorspace is **180x174cm**.



KIELDER RANGE



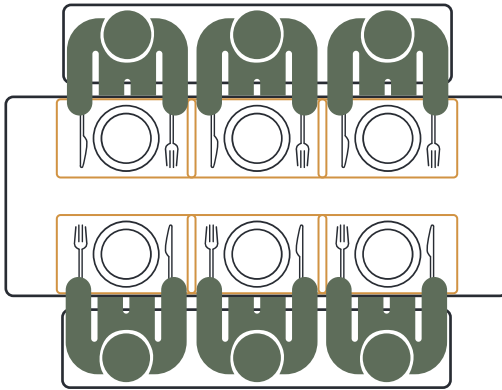
Dining Table: **200x80cm**

Comfortable for 6

Benches: **155cm**

These benches **will** recess fully underneath a **200cm** long table.

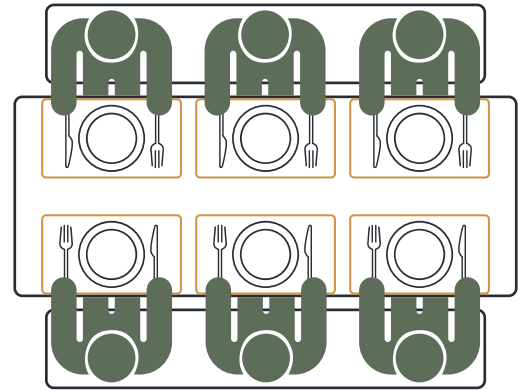
The total floorspace required is **200x154cm**.



Benches: **175cm**

These benches **won't** recess fully underneath a **200cm** long table.

The total floorspace required is **200x154cm**.



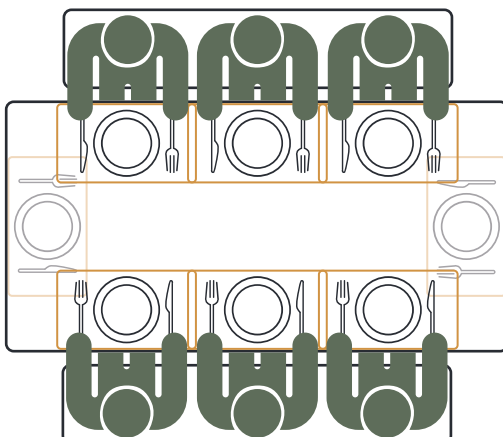
Dining Table: **200x100cm**

Comfortable for 6 & Cozy for 8

Benches: **155cm**

These benches **will** recess fully underneath a **200cm** long table.

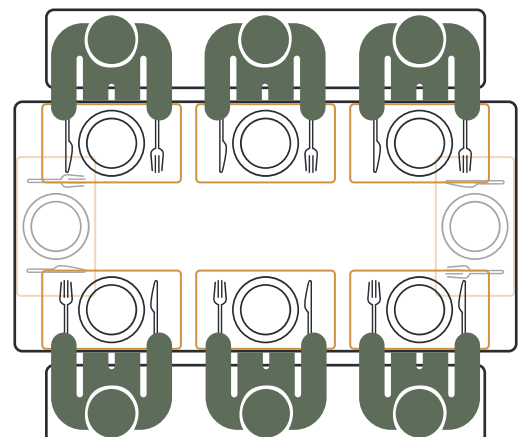
The total floorspace is **200x174cm**.



Benches: **175cm**

These benches **won't** recess fully underneath a **200cm** long table.

The total floorspace is **200x174cm**.



KIELDER RANGE

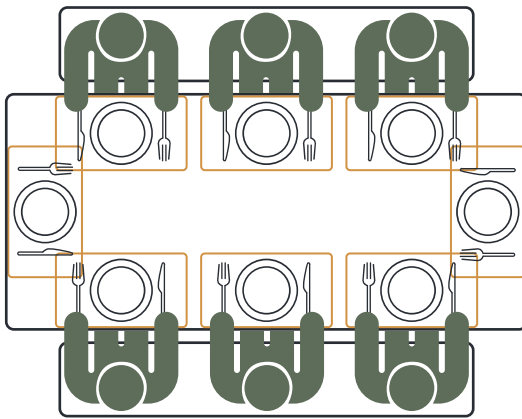
Dining Table: **220x100cm**

Comfortable for 8

Benches: **175cm**

*These benches **will** recess fully underneath a **220cm** long table.*

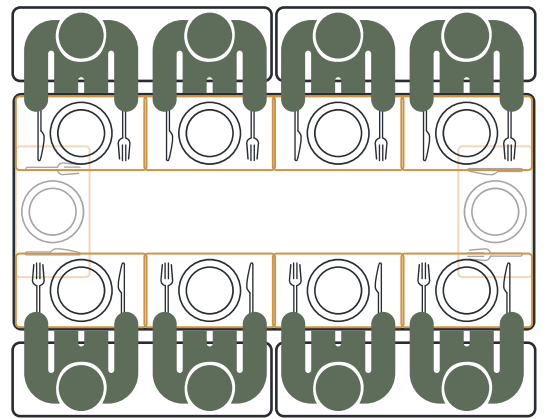
*The total floorspace required is **220x174cm**.*



Benches: **110cm**

*These benches **won't** recess fully underneath a **220cm** long table.*

*The total floorspace required is **220x174cm**.*



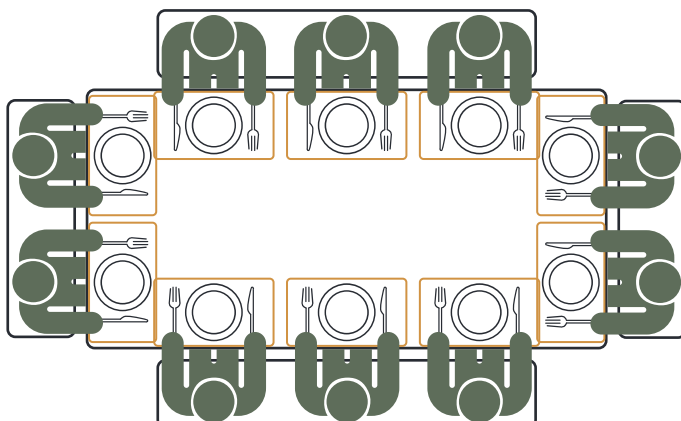
Dining Table: **240x120cm**

Comfortable for 10

Benches: **175cm & 110cm**

*The **175cm** benches **will** recess fully underneath a **240cm** long table, but the **110cm** benches **won't**.*

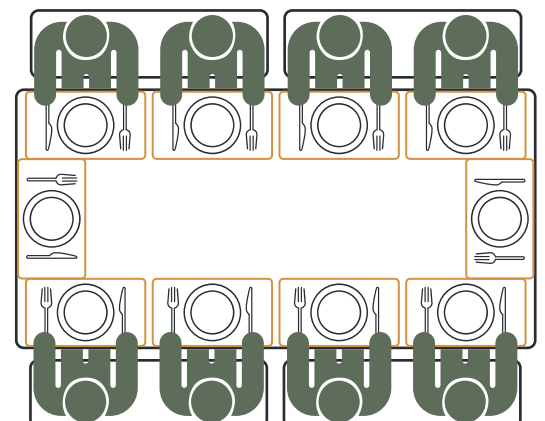
*The total floorspace is **314x194cm**.*



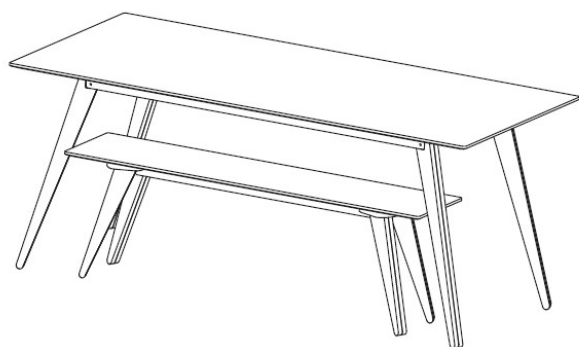
Benches: **110cm**

*The **110cm** benches **won't** recess fully underneath a **240cm** long table.*

*The total floorspace is **240x194cm**.*



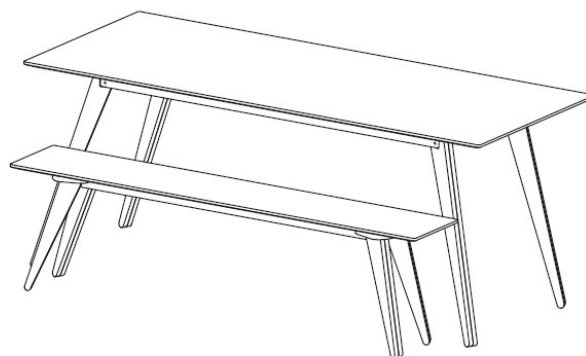
Recessed Bench



Each bench fully recesses underneath the table when not in use.

More floor space, less seating space.

Non Recessed Bench



Each bench slides away by 5cm when not in use.

More seating space, less floor space.

TABLE SIZE (LENGTH X WIDTH)	RECESSED BENCH	NON-RECESSED BENCH
160x80cm <i>(Comfy for 4, cozy for 6)</i>	110cm <i>(Seats 2)</i>	155cm <i>(Seats 3)</i>
180x80cm <i>(Comfy for 6)</i>	135cm <i>(Seats 2)</i>	175cm <i>(Seats 3)</i>
180x100cm <i>(Comfy for 6, cozy for 8)</i>	135cm <i>(Seats 2)</i>	175cm <i>(Seats 3)</i>
200x80cm <i>(Comfy for 6)</i>	155cm <i>(Seats 3)</i>	175cm <i>(Seats 3)</i>
200x100cm <i>(Comfy for 6, cozy for 8)</i>	155cm <i>(Seats 3)</i>	175cm <i>(Seats 3)</i>
220x100cm <i>(Comfy for 8)</i>	175cm <i>(Seats 3)</i>	110cm <i>(Seats 2)</i>
240x120cm <i>(Comfy for 10)</i>	175cm <i>(Seats 3)</i>	110cm <i>(Seats 2)</i>

If you have any questions or queries, please don't hesitate to contact us at chatter@grain.co.uk